

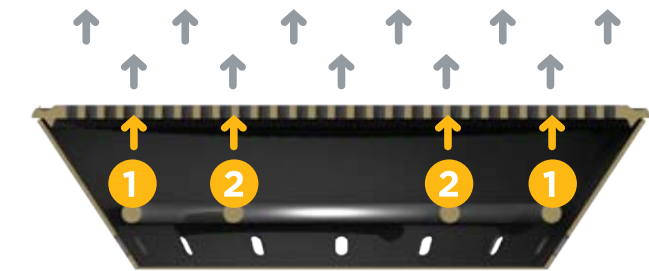
Element by Fuego represents the start of something new. It's flaunt-free intelligence. It's the cool of innovation, the no-nonsense of functionality, the joy that comes with discovering the next big thing. And, in this instance, it's the Element grills—the hottest thing to hit the barbecue since the burger.



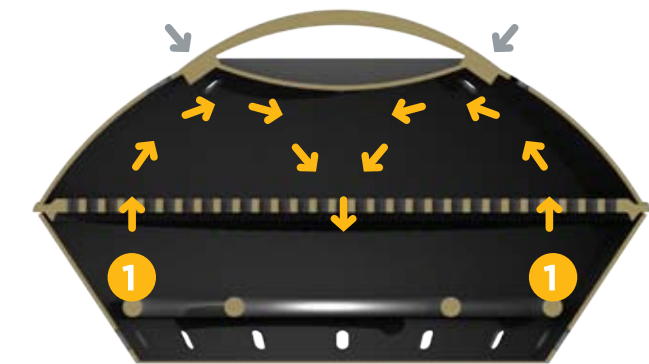
Dual Zone Burner
Grilling with the powerful 24,000 btu/hr dual zone burner distributes heat evenly over the entire 21" grill surface.



Patent Pending Control Valve
Element's unique single dial control gives you full command over dual zone burner selection as well as choices of high to low temperature settings.



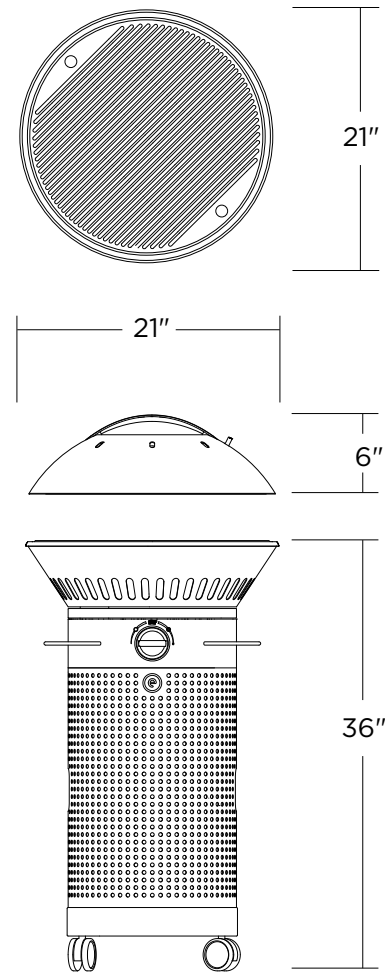
Direct cooking Zone 1+2
For the optimal open grilling experience, adjust the temperature from high to low covering the entire grill surface with both zone 1 and 2 burners.



Indirect Cooking Zone 1
Barbecue or slow roast with the fully independent outer burner. With the lid closed, the adjustable 15,000 btu outer burner creates convection like cooking.



Propane Storage
A removable front panel keeps the tank out of site.



Element Products LLC.
www.elementbyfuego.com



Grilling
With its full-throttle 24,000 btu Dual Zone Burner, Element sizzles up high-temperature searing and grilling in style.



Barbecue and Roasting
We're talking about love, people—about meat-falling-off-the-bone beauty, about hours of tenderizing perfection.



Pizza Stone Baking
What's it going to be? Garlic and pesto? Sausage and olives? Thin or thick crust? Pizzas are easy with our optional 20" Pizza Stone.



Giddle Flat Plate
Hot-sear and grill peppers and onions, Steak Florentine or shrimp in the shell with Element's optional cast iron hot plate.



Element 01
Stainless Steel EGO1AMG



Element 02
Dark Gray EGO2AMG



Element 03
White EGO3BMG



Element 03
Red EGO3AMG

